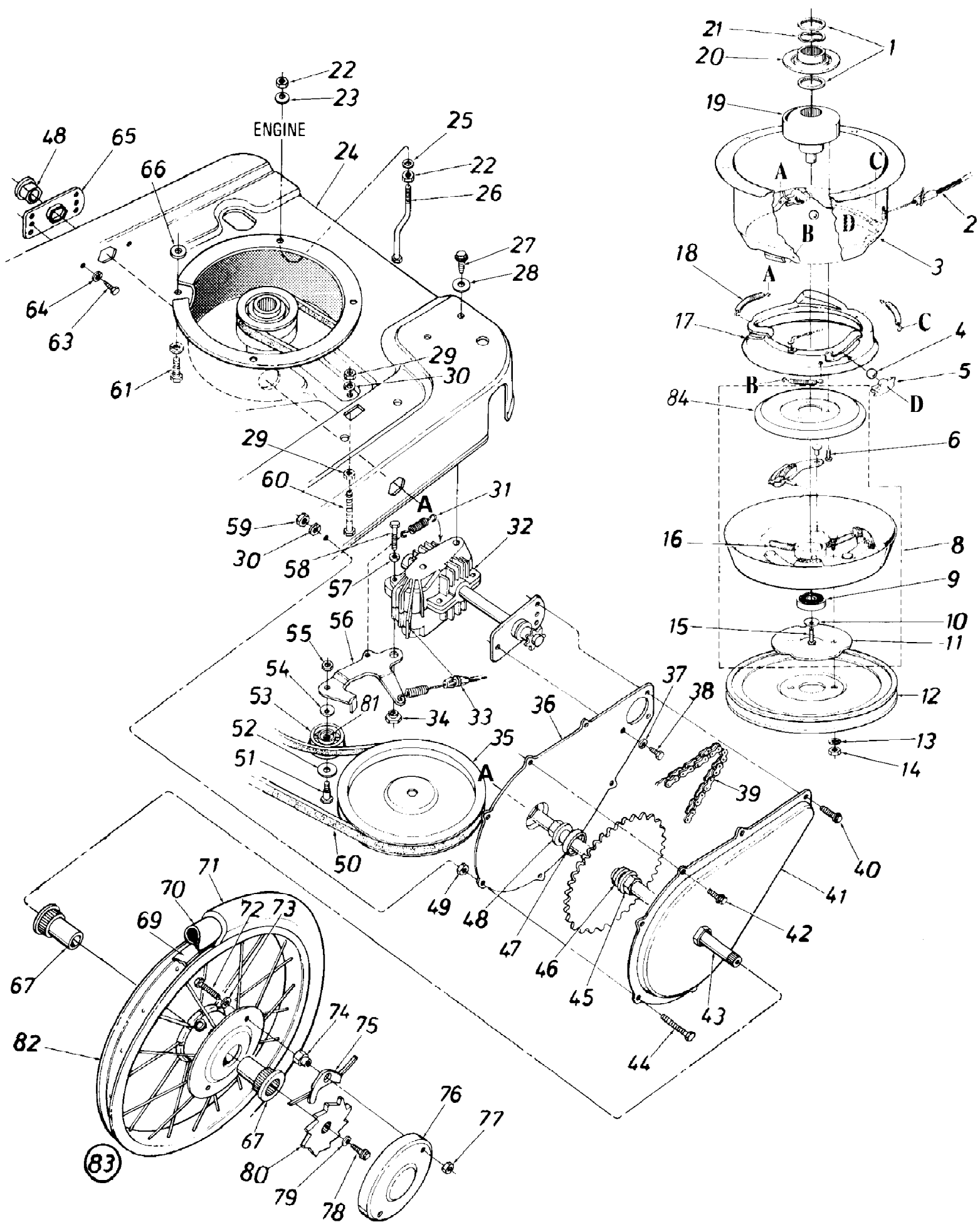


| Ref # | Part Number | Qty | S/P/F | Description |
|-------|-------------|-----|-------|---|
| 1 | 712-0318 | 1 | /P | Hex Jam Nut 5/16-18 Thd. |
| 2 | 736-0317 | 1 | /P | Bell-Wash. .630" I.D. x 1.25" O.D. |
| 3 | 756-0484 | 1 | | 518" "V"-Pulley .75" I.D. x 9.5" |
| 4 | 732-0529 | 1 | | Extension Spring .56" O.D. x 1 0.5 |
| 5 | 710-0118 | 1 | S | Hex Bolt 5/16-18 x .75" Lg.* |
| 6 | 736-0119 | 1 | S | L-Wash. 5/16" I.D.* |
| 7 | 712-0267 | 1 | S | Hex Nut 5/16-18 Thd.* |
| 8 | 736-0272 | 1 | S | FI-Wash. .510" I.D. x 1.0" O.D. |
| 9 | 16499 | 1 | | 26" Deck Ass'y. |
| 10 | 714-0101 | 1 | S | Inter. Cotter Pin 1/2" Dia. |
| 11 | 13703 | 1 | | Bearing Shield |
| 12 | 712-0123 | 1 | /P | Hex Nut 5/16-24 Thd.* |
| 14 | 742-0147 | 1 | S | Blade 26" |
| 15 | 710-0888 | 1 | /P | Hex Bolt Special 5/16-24 x 1.0" Lg. |
| 16 | 710-0152 | 1 | S | Hex Bolt 3/8-24 x 1.00" Lg. |
| 17 | 736-0356 | 1 | S | Bell-Wash. .391" I.D. x 1.38" O.D. |
| 18 | 748-0300 | 1 | | Blade Adapter |
| 19 | 711-0571 | 1 | | Hinge Pin |
| 20 | 710-0599 | 1 | /P | Hex Wash. Hd. TT-Scr. 1/4-20 |
| 21 | 11571 | 1 | | Chute Cover Ass'y. |
| 22 | 732-0261 | 1 | | Torsion Spring |
| 23 | 11396 | 1 | | Adapter Plate |
| 24 | 726-0106 | 1 | S | Cap Speed Nut 1/4" Rod |
| 25 | 738-0578 | 1 | | Blade Spindle 4.42" Lg. |
| 28 | 08253 | 1 | S | Bearing Housing 1.85 |
| 29 | 741-0919 | 1 | S | Ball Brg. .787" I.D. x 1.85" O.D. |
| 30 | 750-0456 | 1 | S | Spacer 1.0" O.D. x .790" I.D. x .350" Lg. |
| 31 | 16490 | 1 | | Spindle Mounting Plate |
| 32 | 741-0919 | 1 | S | Ball Brg. .787" I.D. x 1.85" O.D. |
| 33 | 15296 | 1 | S | Open Brg. Housing 1.85 |
| 35 | 754-0326 | 1 | S | "V"-Belt |
| 36 | 741-0163 | 1 | S | Brg. Hsg. Ass'y. (Incl. Ref. 28 & 29) |
| 37 | 15297 | 1 | S | Brg. Hsg. Ass'y. (Incl. Ref. 32 & 33) |



129-560B190 Lawn Boss 26 (1989)
Drive Assembly

Page 4 of 10

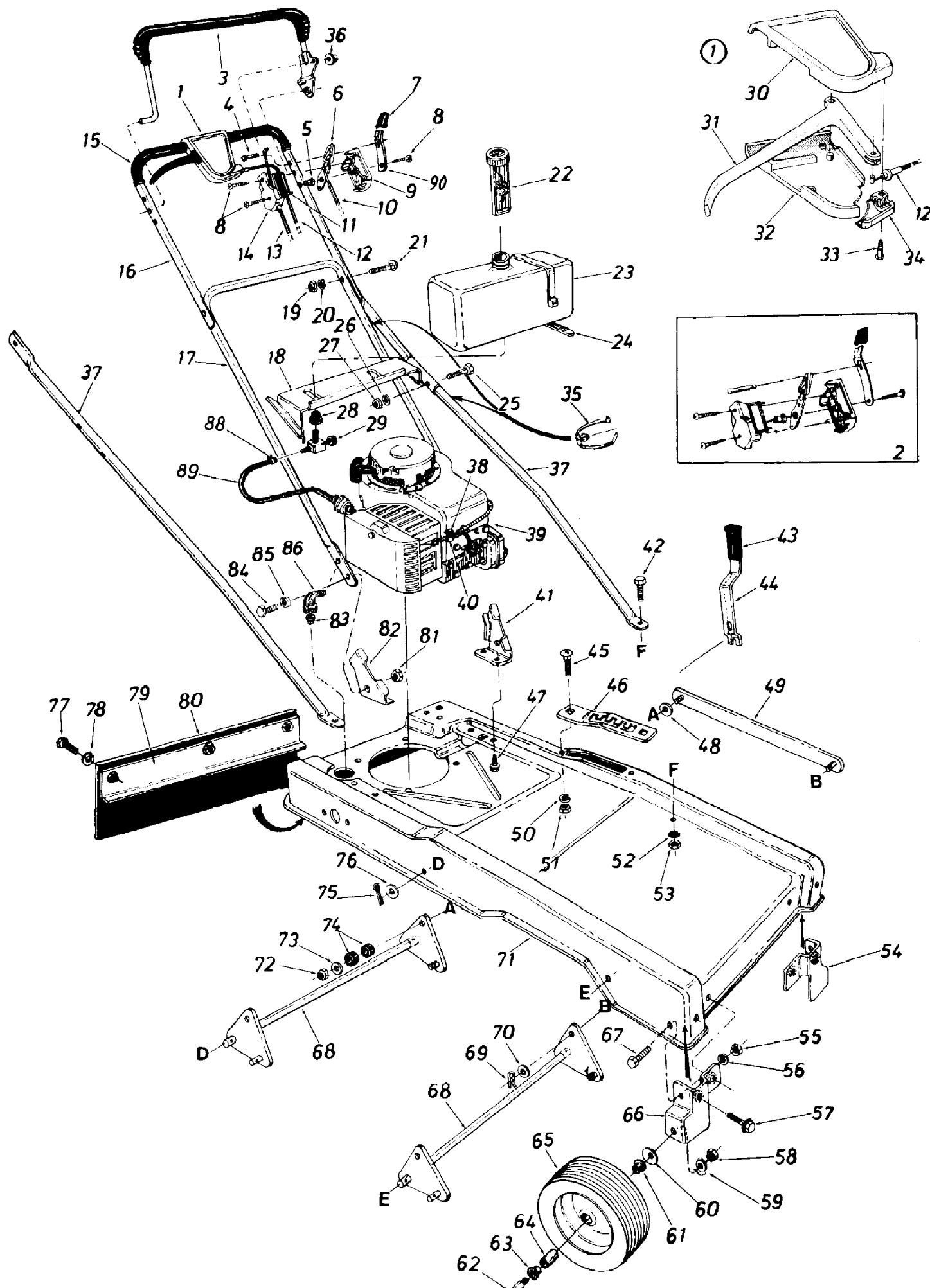
| Ref # | Part Number | Qty | S/P/F | Description |
|-------|-------------|-----|-------|--|
| 1 | 736-0409 | 1 | S | Washer 1.0" I.D. x 1.2" O.D. |
| 2 | 746-0405 | 1 | S | BBC Clutch Cable 46" Lg. |
| 3 | 16509 | 1 | | Clutch Housing |
| 4 | 741-0326 | 1 | | Steel Ball .500" Dia. |
| 5 | 731-0520 | 1 | | Ball Block |
| 6 | 710-0599 | 1 | /P | Hex Wash. TT-Tap Cl. Scr. 1/4-20 X .50" Lg. |
| 8 | 717-0889 | 1 | | Clutch Blade Housing Ass'y. (Also Incl. Ref. 19) |
| 9 | 741-0124 | 1 | S | Ball Brg. .669" I.D. x 1.574" O.D. |
| 10 | 736-0412 | 1 | | Bell-Wash .44" I.D. x .87" O.D. |
| 11 | 14302 | 1 | | Blade Disc. |
| 12 | 756-0483 | 1 | | 5/8 "V"-Pulley 1.58 I.D. x 8.0" O.D. |
| 13 | 736-0169 | 1 | S | L-Wash. 3/8" I.D. |
| 14 | 712-0328 | 1 | | Hex Nut 3/8-24 Thd. |
| 15 | 710-1002 | 1 | /P | Hex Bolt 7/16-20 x 2.0" Lg.-Gr. 5 |
| 16 | 732-0527 | 1 | | Comp. Spring .33" O.D. x 2.05" Lg. |
| 17 | 719-0283 | 1 | | Brake Cup Cone |
| 18 | 732-0545 | 1 | S | Extension Spring .35" O.D. x 1.80" Lg. |
| 19 | 756-0504 | 1 | | Fixed Pulley MBC Adapter |
| 20 | 756-0503 | 1 | | Movable Pulley Half |
| 21 | 736-0408 | 1 | S | Wave Wash. .164 High x 1.005" I.D. |
| 22 | 712-0267 | 1 | S | Hex Nut 5/16-18 Thd. |
| 23 | 736-0242 | 1 | /P | Bell-Wash. .336" I.D. x .860" O.D. |
| 24 | 16505 | 1 | | Hi-Wheel Frame |
| 25 | 736-0119 | 1 | S | L-Wash. 5/16" I.D. |
| 26 | 710-0973 | 1 | | Belt Guard 5/16" Bolt |
| 27 | 710-0603 | 1 | /P | Hex Wash. Hd. B-Tap Scr. 5/16-18 x .50" Lg. |
| 28 | 736-0219 | 1 | S | Bell-Wash. .400" I.D. x 1.13" O.D. |
| 29 | 712-0287 | 1 | S | Hex Nut 1/4-20 Thd. |
| 30 | 736-0329 | 1 | S | L-Wash. 1/4" I.D. |
| 31 | 732-0357 | 1 | S | Extension Spring .33" I.D. x 1.12" Lg. |
| 32 | 717-0417 | 1 | S | Transmission Comp. (See Breakdown) |
| 33 | 746-0650 | 1 | S | Self-Propelled Cable x 50' Lg. -Black |
| 34 | 738-0440 | 1 | | Shld. Spacer .375" Dia. x .170 |
| 35 | 756-0330 | 1 | S | FI-Pulley 5.06" O.D. |
| 36 | 16504 | 1 | | 45 Tooth Chain Cover |
| 37 | 736-0329 | 1 | S | L-Wash. 1/4" I.D. |
| 38 | 710-0352 | 1 | /P | Hex B-Tap Scr. 1/4 X .38" Lg. |
| 39 | 713-0257 | 1 | S | #48 Chain .500" Pitch x 52 Links |
| 40 | 710-0599 | 1 | /P | Hex Wash. TT-Tap Scr. 1/4-20 X .50" Lg. |
| 41 | 16503 | 1 | | 45 Tooth Chain Case |
| 42 | 710-0352 | 1 | /P | Hex B-Tap Scr. 1/4 X .38" Lg. |
| 43 | 713-0402 | 1 | | Rear Axle Ass'y. 26.82" Lg. |
| 44 | 710-0281 | 1 | /P | Hex Bolt 1/4-28 X .88" Lg. |
| 45 | 741-0481 | 1 | | Hex Flange Brg. .631" I.D. x .320 |
| 46 | 736-0256 | 1 | S | FI-Wash. .635" I.D. x 1.0" O.D. |
| 47 | 748-0313 | 1 | | Spacer .630" I.D. x 1.250" O.D. |
| 48 | 741-0413 | 1 | S | Hex Flange Brg. .631" I.D. x .720 |
| 49 | 712-0314 | 1 | | Hex Jam Nut 1/4-28 Thd. |
| 50 | 754-0327 | 1 | S | "V"-Belt |
| 51 | 738-0691 | 1 | S | Shld. Bolt .375" Dia. x .400 Lg. |
| 52 | 736-0344 | 1 | S | FI-Wash. .390" I.D. x 1.00" O.D. |

129-560B190 Lawn Boss 26 (1989)
Drive Assembly

Page 5 of 10

| Ref # | Part Number | Qty | S/P/F | Description |
|-------|-------------|-----|-------|--|
| 53 | 756-0447 | 1 | S | FI-Idler Plastic 1.50" Dia. x .48 |
| 54 | 736-0270 | 1 | /P | Bell-Wash. .265" I.D. x .75" O.D. |
| 55 | 712-0138 | 1 | S | Hex Nut 1/4-28 Thd. |
| 56 | 16502 | 1 | | Idler Brk't. Ass'y. |
| 57 | 736-0329 | 1 | S | L-Wash. 1/4" I.D. |
| 58 | 710-0106 | 1 | /P | Hex Bolt 1/4-20 X 1.25" Lg. |
| 59 | 712-0138 | 1 | S | Hex Nut 1/4-28 Thd. |
| 60 | 710-0501 | 1 | /P | Hex Bolt 1/4-20 X 2.00" Lg. |
| 61 | 710-0654 | 1 | S | Hex Wash. Hd. TT-Tap Scr. 3/8-16 x 1.0" Lg. |
| 63 | 710-0352 | 1 | /P | Hex B-Tap Scr. 1/4 X .38" Lg. |
| 64 | 736-0329 | 1 | S | L-Wash. 1/4" I.D. |
| 65 | 16500 | 1 | S | Hex Bearing Cup |
| 66 | 736-0185 | 1 | S | FI-Wash. .406" I.D. x .734" O.D. |
| 67 | 741-0485 | 1 | S | Flange Bearing .630" I.D. x 2.83" Lg. |
| 69 | 734-1400 | 1 | | Rimstrip 16 x 7/8 |
| 70 | 734-1397 | 1 | /P | Inner Tube 16 x 2.12 |
| 71 | 734-1396 | 1 | /P | Chevron Tire 16 x 2.125 |
| 72 | 710-0376 | 1 | /P | Hex Bolt Special 5/16-18 x 1.0" Lg. |
| 73 | 736-0104 | 1 | S | Intern. L-Wash. 5/16" I.D. |
| 74 | 712-0329 | 1 | S | Special Hex Nut 5/16-18 Thd. |
| 75 | 748-0315 | 1 | | Pawl and Spring Ass'y. |
| 76 | 14967 | 1 | | Wheel Cover 4.75" I.D. |
| 77 | 712-0267 | 1 | S | Hex Nut 5/16-18 Thd. |
| 78 | 710-0782 | 1 | | Hex Wash. Hd. Self-Tap Screw 1/4" X 3/4" Lg. |
| 79 | 736-0270 | 1 | /P | Bell-Wash. .265" I.D. x .75" O.D. |
| 80 | 748-0312 | 1 | | Wheel Ratchet 2.92" O.D. |
| 81 | 741-0482 | 1 | S | Needle Brg. .375" x .31" |
| 82 | 734-1399 | 1 | | Rim Ass'y. Only 16.0" x 2.1 |
| 83 | 734-1398 | 1 | | Wheel Ass'y. Comp. 16 x 2.12 |
| 84 | 14304A | 1 | | Clutching Cone |

129-560B190 Lawn Boss 26 (1989)
Handle & Frame Assembly

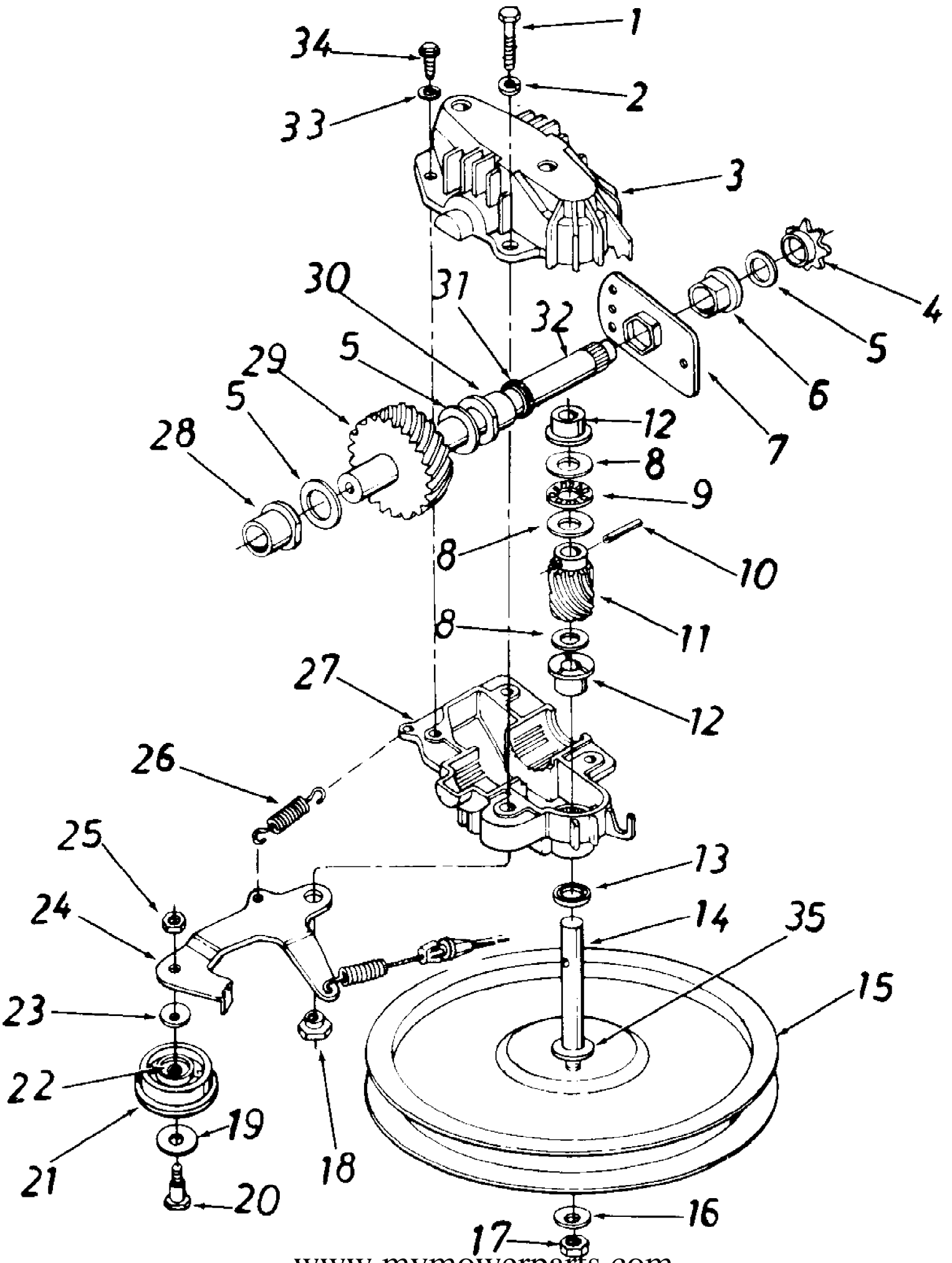


| Ref # | Part Number | Qty | S/P/F | Description |
|-------|-------------|-----|-------|---|
| 1 | 753-0362 | 1 | | Clutch Control Housing Comp. |
| 2 | 753-0431 | 1 | | Control Housing Comp. |
| 3 | 731-0609 | 1 | | Control Handle Ass'y. |
| 4 | 731-0607 | 1 | | Lock Pin |
| 5 | 731-0524 | 1 | | Control Disc Pin |
| 6 | 731-0972 | 1 | S | Throttle Control Lever |
| 7 | 720-0190 | 1 | S | Spring Lever Knob |
| 8 | 710-0796 | 1 | /P | Truss Mach. Hi-B 0 Tap Scr. #12 x 1.50" Lg. |
| 9 | 731-0817 | 1 | S | Control Panel Half |
| 10 | 746-0631 | 1 | S | Throttle Control Wire 43" Lg. |
| 11 | 777-5772 | 1 | | Control Label-Throttle |
| 12 | 746-0650 | 1 | S | Self-Propelled Cable 50" Lg. |
| 13 | 746-0405 | 1 | S | Drive Clutch Cable-46" Lg. |
| 14 | 731-0816 | 1 | | Clutch Panel Half |
| 15 | 718-0145 | 1 | | Grip 22" Lg. |
| 16 | 749-0439A | 1 | S | Upper Handle (Painted) |
| | 749-0437A | 1 | | Upper Handle (Chrome) |
| 17 | 749-0504C | 1 | S | Lower Handle (Painted) |
| | 749-0505C | 1 | S | Lower Handle (Chrome) |
| 18 | 14426 | 1 | | Gas Tank Mounting Brkt. |
| 19 | 712-0267 | 1 | S | Hex Nut 5/16-18 Thd. |
| 20 | 736-0119 | 1 | S | L-Wash. 5/16" I.D. |
| 21 | 710-0262 | 1 | /P | Carriage Bolt 5/16-18 x 1.50" Lg. |
| 22 | 723-0155 | 1 | | Gas Gauge 13/4-6 x 5.50" Lg. |
| 23 | 751-0225 | 1 | | Gas Tank |
| 24 | 726-0209 | 1 | /P | Cable Tie 30.6" Lg. |
| 25 | 710-0158 | 1 | S | Hex Bolt 5/16-24 x 1.25" Lg. |
| 26 | 736-0119 | 1 | S | L-Wash. 5/16" I.D. |
| 27 | 712-0123 | 1 | /P | Hex Nut 5/16-24 Thd. |
| 28 | 735-0149 | 1 | S | Bushing-Gas Tank |
| 29 | 751-0171 | 1 | S | Fuel Shut-Off Valve w/Screen |
| 30 | 731-0617A | 1 | /P | Control Cover Half-Upper |
| 31 | 731-0620 | 1 | S | Control Lever |
| 32 | 731-0618A | 1 | S | Control Cover Half-Lower |
| 33 | 710-0841 | 1 | /P | Flat "C" Sunk Hd. Tap Scr. #10 x .75" Lg. |
| 34 | 731-0619A | 1 | | Cable Mounting Cap |
| 35 | 726-0240 | 1 | S | Cable Tie |
| 36 | 726-0245 | 1 | | Push Cap |
| 37 | 749-0697A | 1 | | Strut .75" O.D. x 43.44" Lg. |
| 38 | 710-0436 | 1 | S | Hex Sems Scr. #10-32 x .62" Lg. |
| 39 | | 1 | | Engine-5 H.P. |
| 40 | 751-0442 | 1 | | Casing Clamp |
| 41 | 12577 | 1 | | Handle Mount Brkt.-L.H. |
| 42 | 710-0118 | 1 | S | Hex Bolt 5/16-18 x .75" Lg.* |
| 43 | 720-0142 | 1 | /P | Grip-Black |
| 44 | 15342 | 1 | | Lift Handle |
| 45 | 710-0260 | 1 | S | Carriage Bolt 5/16-18 x .62" Lg. |
| 46 | 16507 | 1 | | Lift Handle Support Brkt. |
| 47 | 710-0603 | 1 | /P | Hex Wash. Hd. B-Tap Scr. 5/16-18 x .50 |
| 48 | 736-0235 | 1 | | FI-Wash. .406" I.D. x 1.25" O.D. |
| 49 | 15331 | 1 | | Connecting Link Ass'y. |
| 50 | 736-0119 | 1 | S | L-Wash. 5/16" I.D.* |
| 51 | 712-0267 | 1 | | Hex Nut 5/16-18 Thd.* |

129-560B190 Lawn Boss 26 (1989)
Handle & Frame Assembly

Page 8 of 10

| Ref # | Part Number | Qty | S/P/F | Description |
|-------|-------------|-----|-------|---|
| 52 | 736-0119 | 1 | S | L-Wash. 5/16" I.D.* |
| 53 | 712-0267 | 1 | S | Hex Nut 5/16-18 Thd.* |
| 54 | 10293 | 1 | | Wheel Brkt. Ass'y.-L.H. |
| 55 | 712-0267 | 1 | S | Hex Nut 5/16-18 Thd.* |
| 56 | 736-0119 | 1 | S | L-Wash. 5/16" I.D.* |
| 57 | 710-0198 | 1 | S | Hex Sems Bolt 5/16-18 x .75" Lg. |
| 58 | 712-0375 | 1 | /P | Hex Cent. L-Nut 3/8-16 Thd. |
| 59 | 736-0169 | 1 | S | L-Wash. 3/8" I.D.* |
| 60 | 736-0105 | 1 | /P | Bell-Wash. .400" I.D. x .88" O.D. |
| 61 | 741-0267 | 1 | | Flanged Ball Brg. 3/8" I.D. |
| 62 | 710-0427 | 1 | S | Hex Bolt 3/8-16 x 2.00" Lg.* |
| 63 | 741-0484 | 1 | S | Flanged Ball Brg. .501" I.D. |
| 64 | 750-0434 | 1 | /P | Spacer .375" I.D. x .505" O.D. x 1" Lg. |
| 65 | | 1 | | ** Wheel Ass'y. Comp. 8 x 1.75 |
| 66 | 10294 | 1 | | Wheel Brkt. Ass'y.-R.H. |
| 67 | 710-0198 | 1 | S | Hex Sems Bolt 5/16-18 x .75" Lg. |
| 68 | 16497 | 1 | | Lift Brkt. Shaft Ass'y. |
| 69 | 714-0104 | 1 | S | Intern. Cotter Pin 5/16" Dia. |
| 70 | 736-0300 | 1 | S | FI-Wash. .385" I.D. x .88" |
| 71 | 16505 | 1 | | Hi-Wheel Frame |
| 72 | 712-0116 | 1 | S | Hex Ins. L-Nut 3/8-24 Thd. |
| 73 | 736-0300 | 1 | S | FI-Wash. .385" I.D. x .88" |
| 74 | 735-0126 | 1 | S | Rubber Wash. .33" I.D. x .87" O.D. |
| 75 | 714-0115 | 1 | S | Cotter Pin 1/8" Dia. x 1" Lg. * |
| 76 | 736-0272 | 1 | S | FI-Wash. .51" I.D. x 1.0" |
| 77 | 710-0258 | 1 | S | Hex Bolt 1/4-20 x .62" Lg.* |
| 78 | 736-0329 | 1 | S | L-Wash. 1/4" I.D.* |
| 79 | 16563A | 1 | | Retaining Strip Ass'y. 3" x 15" Lg. |
| 80 | 731-0811 | 1 | | Rear Flap 7.5 x 20" Lg. |
| 81 | 712-0342 | 1 | /P | Hex Nut 3/8-16 Thd.* |
| 82 | 12578 | 1 | | Handle Mount Brkt.-R.H. |
| 83 | | 1 | | Part of Engine |
| 84 | 710-0216 | 1 | /P | Hex Bolt 3/8-16 x .75" Lg.* |
| 85 | 736-0169 | 1 | S | L-Wash. 3/8" I.D.* |
| 86 | 737-0125 | 1 | | 90 Deg. Elbow Male to Female 3/8 |
| 88 | 726-0207 | 1 | | Hose Clamp-.406" Dia. |
| 89 | 751-0173A | 1 | | Fuel Line 15" Lg. |
| 90 | 732-0401 | 1 | | Lockout Lever |



129-560B190 Lawn Boss 26 (1989)
Transmission Assembly

Page 10 of 10

| Ref # | Part Number | Qty | S/P/F | Description |
|-------|-------------|-----|-------|--|
| 1 | 710-0106 | 1 | /P | Hex Bolt 1/4-20 x 1.25" Lg.* |
| 2 | 736-0329 | 1 | S | L-Wash. 1/4" I.D.* |
| 3 | 717-0418 | 1 | S | Upper Transmission Hsg. Half |
| 4 | 713-0400 | 1 | | #48 Sprocket 7 Tooth x 1/2 Pitch |
| 5 | 736-0336 | 1 | S | FI-Wash. 5/8" I.D. x .030 |
| 6 | 741-0413 | 1 | S | Hex Flange Brg. .631" I.D. |
| 7 | 16500 | 1 | S | Hex Bearing Cup |
| 8 | 736-0314 | 1 | S | Thrust Wash. .382" I.D. x .70" O.D. |
| 9 | 741-0479 | 1 | | Thrust Bearing .375" I.D. x .812" O.D. |
| 10 | 715-0152 | 1 | | Spring Pin Spir. 1/8" x .62" Heavy |
| 11 | 717-0420 | 1 | | 11 Tooth Helical Gear |
| 12 | 748-0208 | 1 | S | Flange Bearing |
| 13 | 721-0212 | 1 | | Oil Seal |
| 14 | 738-0708 | 1 | S | Pulley-Transmission Shaft .375 O.D. |
| 15 | 756-0330 | 1 | S/F | FI-Pulley 5.06" O.D. |
| 16 | 736-0270 | 1 | /P/F | Bell-Wash. .265" I.D. x .75" |
| 17 | 712-0351 | 1 | S/F | Hex Lock Nut 1/4-28 LH Thd. |
| 18 | 738-0440 | 1 | F | Shld. Spacer .375" Dia. x .170 |
| 19 | 736-0344 | 1 | S/F | FI-Wash. .390" I.D. x 1.0" |
| 20 | 738-0691 | 1 | S/F | Shld. Bolt .375" Dia. x .40" |
| 21 | 756-0447 | 1 | S/F | FI-Idler Plastic 1.50" Dia. x .48 |
| 22 | 741-0482 | 1 | S/F | Needle Brg. .375" x .31 |
| 23 | 736-0270 | 1 | /P/F | Bell-Wash. .265" I.D. x 75" |
| 24 | 16502 | 1 | F | Idler Brk't. Ass'y. |
| 25 | 712-0138 | 1 | S/F | Hex Patch L-Nut 1/4-28 Thd |
| 26 | 732-0357 | 1 | S/F | Extension Spring 1.12" Lg. |
| 27 | 717-0419 | 1 | S | Lower Transmission Hsg. Half |
| 28 | 741-0415 | 1 | S | Flange Bearing .566 Dia. |
| 29 | 717-0422 | 1 | S | 33 Tooth Helical Gear |
| 30 | 741-0414 | 1 | | Flange Bearing .629 Dia. |
| 31 | 721-0213 | 1 | /P | Oil Seal .625 Dia. |
| 32 | 738-0607 | 1 | S | Gear Sprocket Shaft |
| 33 | 736-0722 | 1 | S | L-Wash. #10 |
| 34 | 710-0436 | 1 | S | Hex B-Tap Scr. #10 x .62" |
| 35 | 736-0410 | 1 | S/F | Hex Washer .26" x .88" |
| | 717-0417 | 1 | S | Transmission Comp. |